

vis-it Tilt 22 - 43"

Item no.: 1570

Indoor totem with adjustable inclination

Interactive content such as image films, animations or slideshows are used in many areas. Information can be displayed effectively and always up-to-date on high-quality displays at almost any location.

The indoor totem can be used to display special offers or promotion content. Orientation systems at trade fairs, train stations or airports can be implemented as well as the image presentation in the visitor area of a company.

The screen of the vis-it Tilt 22 - 43" can be tilted continuously between 0 and 90°. It is suitable for digital signage monitors or flat screens with a size between 22 - 43" | 55 - 109 cm.

Thanks to the compact size, the indoor totem is very space-saving. The footprint is: W 500 x D 400 mm and the height is approx. 1062 mm, which is not only in the optimal viewing angle, but also makes the totem perfect for any kind of touch applications.

The cables are routed inside the totem, which also offers sufficient space for peripheral devices on various levels. The removable, column cover on the back enables optimal service access at any time.

As standard, the surface of the vis-it Tilt 22 - 43" is finished with an impact and scratch resistant powder-coating in black. Other RAL colours are possible on request.



adjustable inclination, 0 - 90°



removable column cover, space for peripherals



cable outlet



Screen not included

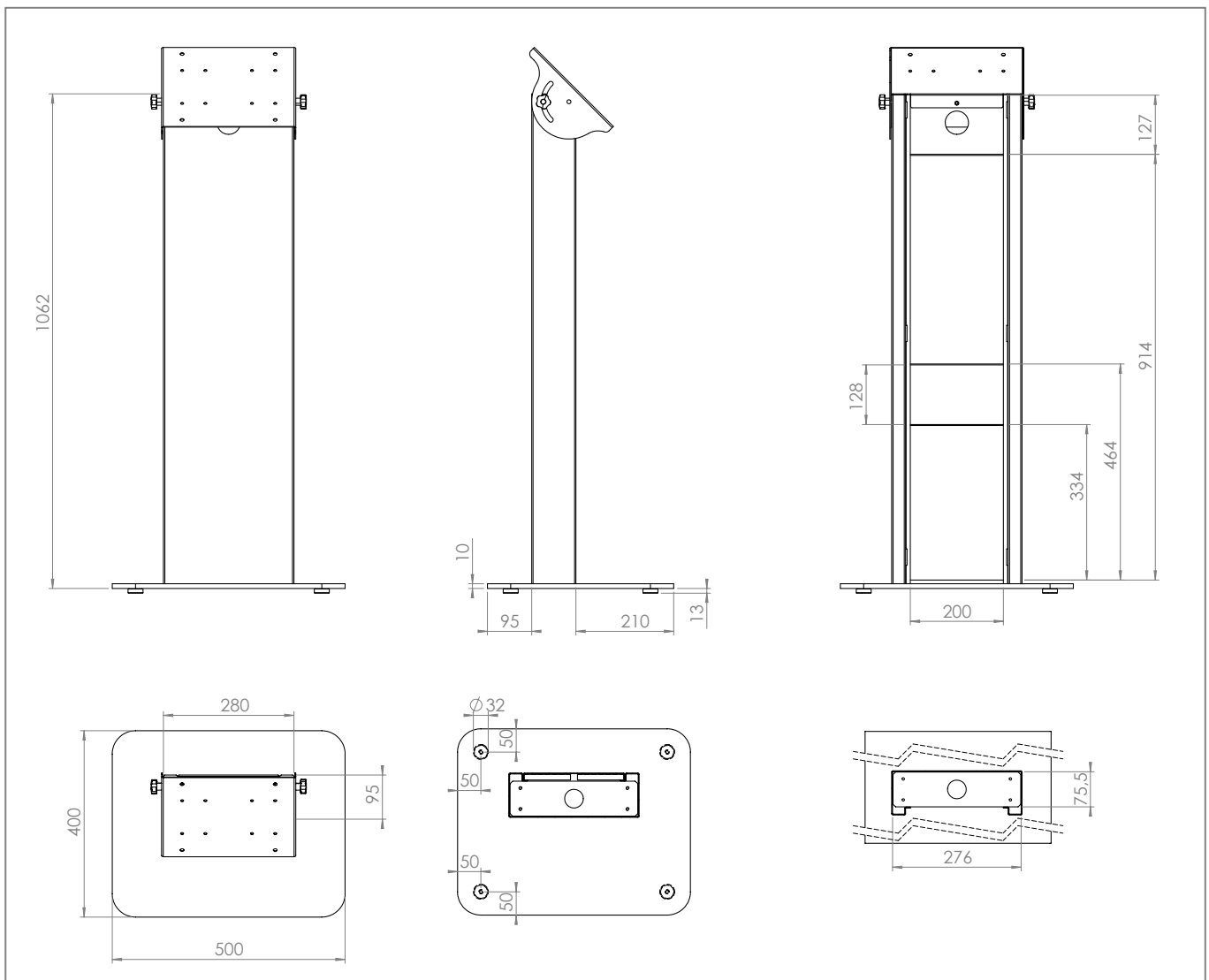


vis-it Tilt 22 - 43"

Item no.: 1570

Indoor totem with adjustable inclination

- for screens from 22 - 43" | 55 - 109 cm
- incl. VESA mount with 75, 100, 200 mm
- infinitely adjustable inclination (0 - 90°)
- hinges adjustable to device weight
- height (center of screen): ca. 1062 mm
- floorspace required: W 500 x D 400 mm
- good service accessibility by removable rear column cover
- load, max.:
 - 12 kg with Touch applications
 - 18 kg without Touch applications
- internal cable routing
- cable outlet also possible below the base plate
- various internal mounting levels for peripheral devices
- incl. impact and scratch resistant powder-coating
- colour: black, other RAL-colours on request



Technical changes reserved | This document is the property of HAGOR Products GmbH. Forwarding and duplication of this document, utilization and communication of its contents are not permitted unless expressly permitted. A violation obliges you to pay compensation. All rights reserved in the event of a patent, utility model or design registration.